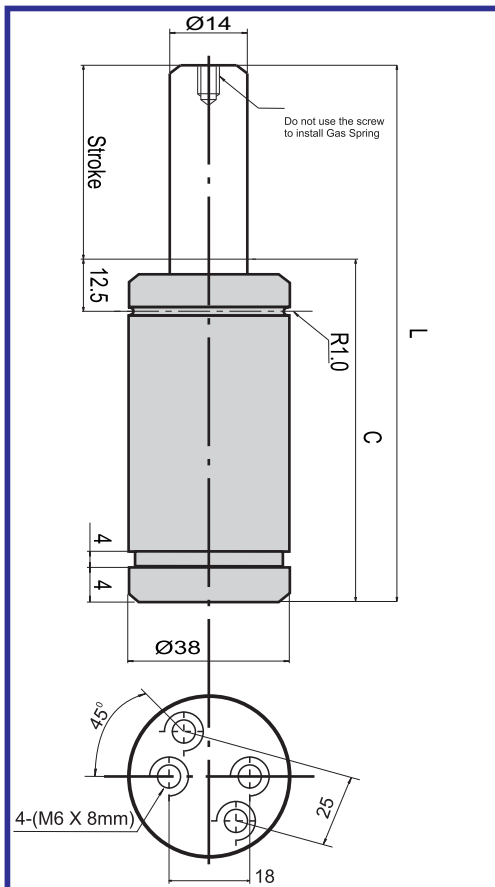
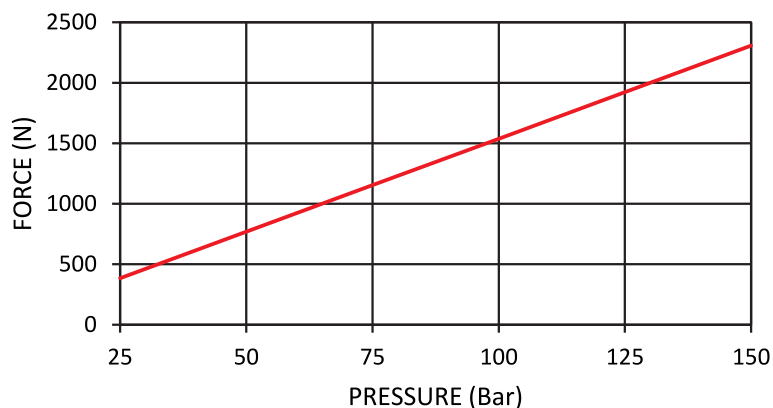
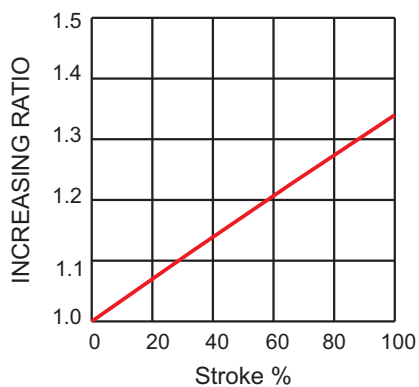


## ▶ Gas Spring - NFS-S4-250 Series



Code	Stroke mm	L mm (± 0.25)	C mm (-0.2)	Initial Kg (N)	End Force Kg (N)
NFS-S4-250	10	70	60	265 (2600)	357 (3500)
	13	76	63		357 (3500)
	16	82	66		357 (3500)
	20	90	70		357 (3500)
	25	100	75		357 (3500)
	30	110	80		357 (3500)
	32	114	82		357 (3500)
	35	120	85		357 (3500)
	38	126	88		357 (3500)
	40	130	90		357 (3500)
	45	140	95		357 (3500)
	50	150	100		357 (3500)
	60	170	110		357 (3500)
	63	176	113		357 (3500)
	70	190	120		357 (3500)
	75	200	125		357 (3500)
80	210	130	357 (3500)		
90	230	140	357 (3500)		
100	250	150	357 (3500)		
125	300	175	357 (3500)		

## ▶ Charging Pressure / Force Increase Factor



## ▶ Gas Spring Mountings



**38 - BTC**  
Ref Page No.97



**38 - TPC**  
Ref Page No.99



**38 - STPC**  
Ref Page No.98

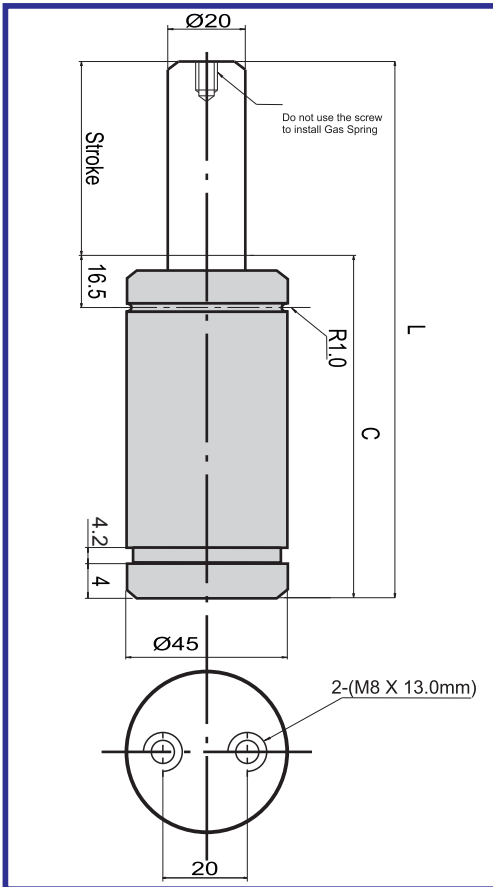


**38 - FLC**  
Ref Page No.99



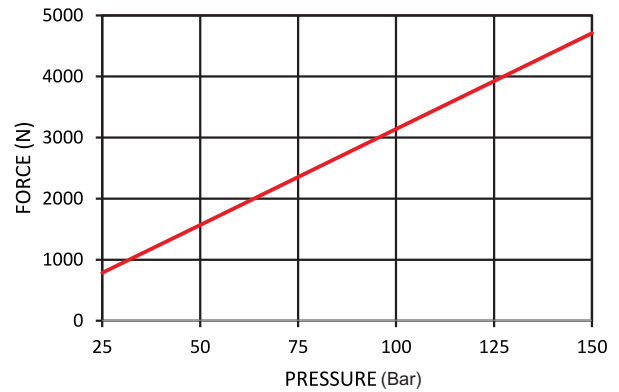
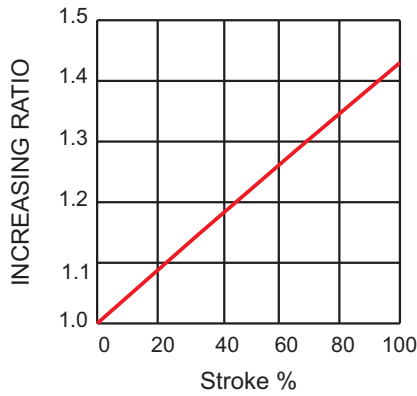
**38 - FLCA**  
Ref Page No.100

## ▶ Gas Spring - NFS-S4-500 Series



Code	Stroke mm	L mm (± 0.25)	C mm (-0.2)	Initial Kg (N)	End Force Kg (N)
NFS-S4-500	10	105	95	479 (4700)	612 (6000)
	13	111	98		622 (6100)
	16	117	101		632 (6200)
	20	125	105		642 (6300)
	25	135	110		653 (6400)
	30	145	115		653 (6400)
	32	149	117		653 (6400)
	35	155	120		653 (6400)
	38	161	123		663 (6500)
	40	165	125		663 (6500)
	45	175	130		663 (6500)
	50	185	135		673 (6600)
	60	205	145		673 (6600)
	63	211	148		673 (6600)
	70	225	155		673 (6600)
	75	235	160		673 (6600)
	80	245	165		683 (6700)
	90	265	175		683 (6700)
	100	285	185		683 (6700)
125	335	210	683 (6700)		
160	405	245	683 (6700)		

## ▶ Charging Pressure / Force Increase Factor



## ▶ Gas Spring Mountings



**45 - BTC**  
Ref Page No.97



**45 - BSP(A/B)**  
Ref Page No.97



**45 - TPC**  
Ref Page No.99



**45 - STPC**  
Ref Page No.98

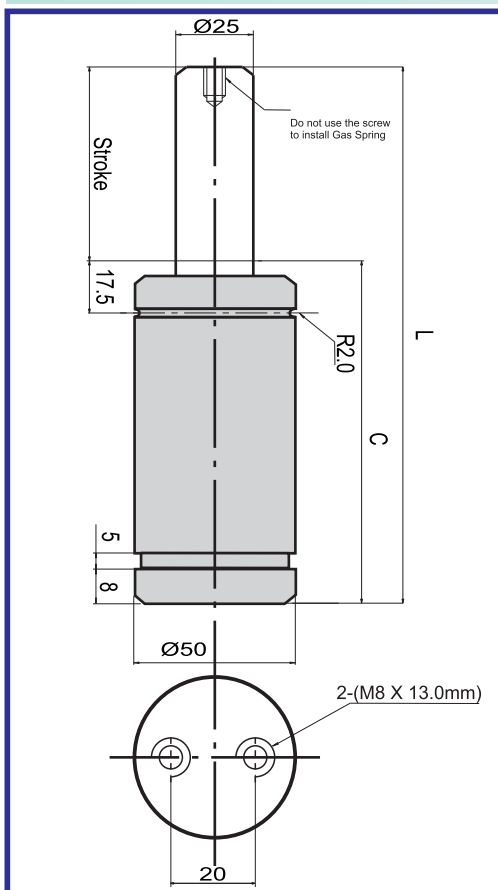


**45 - FLC**  
Ref Page No.99



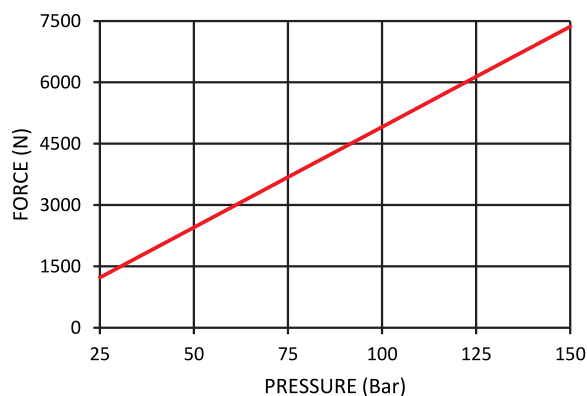
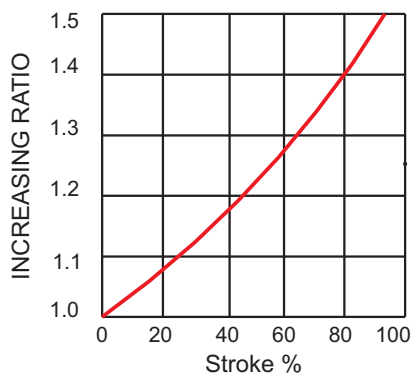
**45 - FLCA**  
Ref Page No.100

## ▶ Gas Spring - NFS-S4-750 Series



Code	Stroke mm	L mm (± 0.25)	C mm (-0.2)	Initial Kg (N)	End Force Kg (N)
NFS-S4-750	13	121	108	755 (7400)	1224 (12000)
	16	127	111		1224 (12000)
	20	135	115		1224 (12000)
	25	145	120		1224 (12000)
	30	155	125		1224 (12000)
	32	159	127		1224 (12000)
	35	165	130		1224 (12000)
	38	171	133		1224 (12000)
	40	175	135		1224 (12000)
	45	185	140		1224 (12000)
	50	195	145		1224 (12000)
	60	215	155		1224 (12000)
	63	221	158		1224 (12000)
	70	235	165		1224 (12000)
	75	245	170		1224 (12000)
	80	255	175		1224 (12000)
	90	275	185		1224 (12000)
	100	295	195		1224 (12000)
	125	345	220		1234 (12100)
	160	415	255		1234 (12100)
200	495	295	1234 (12100)		
250	595	345	1234 (12100)		
300	695	395	1234 (12100)		

## ▶ Charging Pressure / Force Increase Factor



## ▶ Gas Spring Mountings



**50 - BTC**  
Ref Page No.97



**50 - BSP(A/B)**  
Ref Page No.97



**50 - TPC**  
Ref Page No.99



**50 - STPC**  
Ref Page No.98

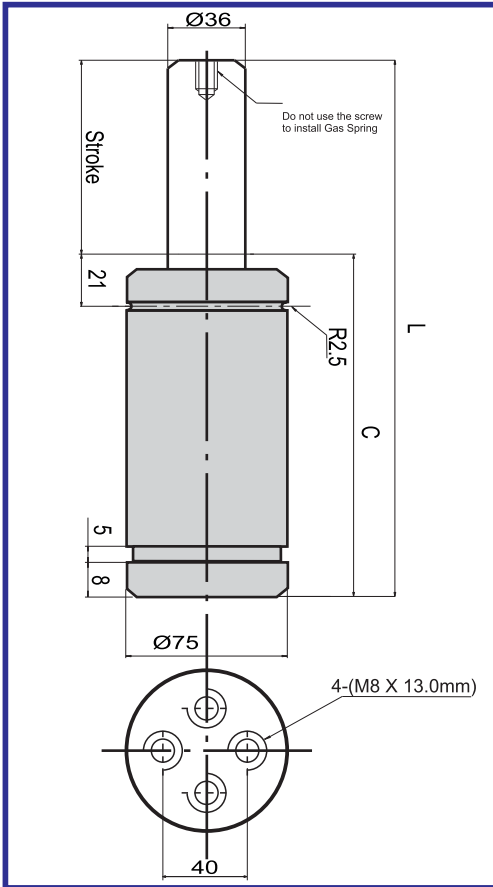


**50 - FLC**  
Ref Page No.99



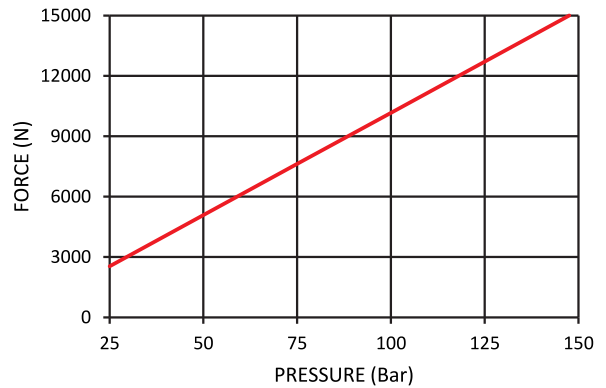
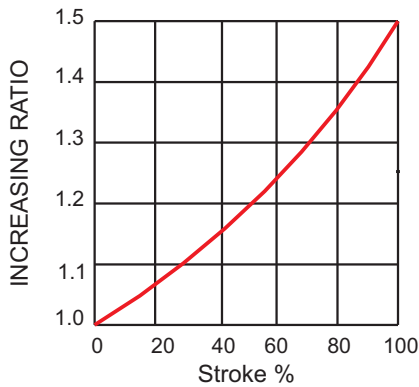
**50 - FLCA**  
Ref Page No.100

## ► Gas Spring - NFS-S4-1500 Series

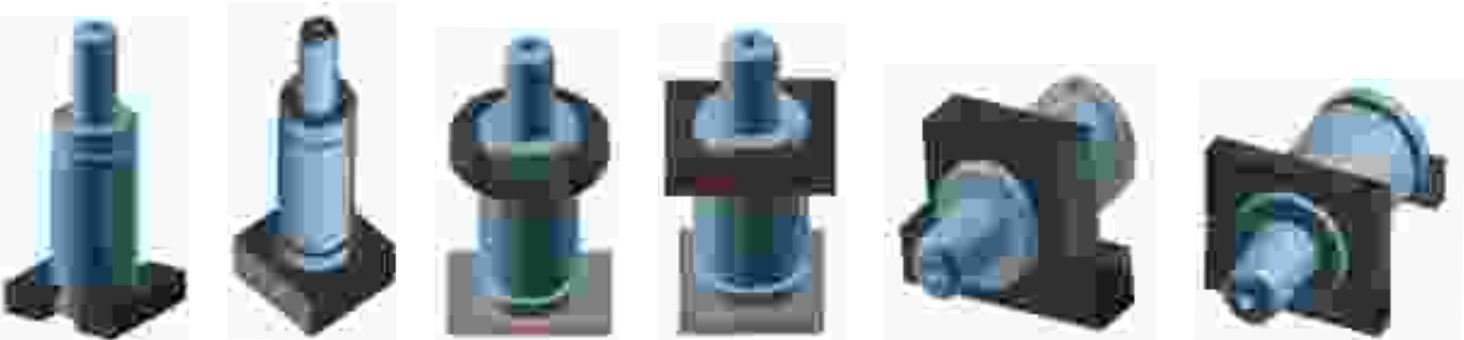


Code	Stroke mm	L mm (±0.2)	C mm (-0.2)	Initial Kg(N)	End Force Kg(N)
NFS-S4-1500	13	135	122	1560 (15300)	2345 (23000)
	16	142	126		2345 (23000)
	20	150	130		2345 (23000)
	25	160	135		2345 (23000)
	30	170	140		2345 (23000)
	32	174	142		2345 (23000)
	35	180	145		2345 (23000)
	38	186	148		2345 (23000)
	40	190	150		2345 (23000)
	45	200	155		2345 (23000)
	50	210	160		2345 (23000)
	60	230	170		2345 (23000)
	63	236	173		2345 (23000)
	70	250	180		2345 (23000)
	75	260	185		2345 (23000)
	80	270	190		2345 (23000)
	90	290	200		2345 (23000)
	100	310	210		2345 (23000)
	125	360	235		2345 (23000)
	160	430	270		2345 (23000)
200	510	310	2345 (23000)		
250	610	360	2345 (23000)		
300	710	410	2345 (23000)		

## ► Charging Pressure / Force Increase Factor



## ► Gas Spring Mountings



**75 - BTC**  
Ref Page No.97

**75 - BSP(A/B)**  
Ref Page No.97

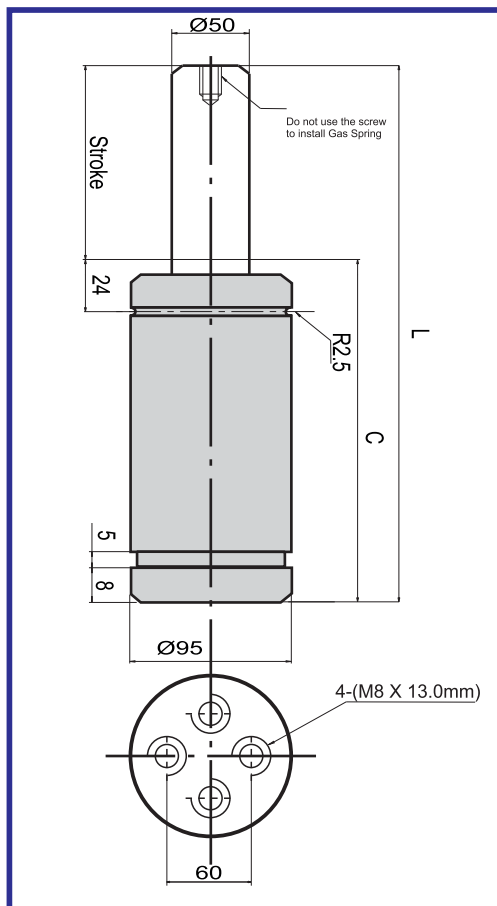
**75 - TPC**  
Ref Page No.99

**75 - STPC**  
Ref Page No.98

**75 - FLC**  
Ref Page No.99

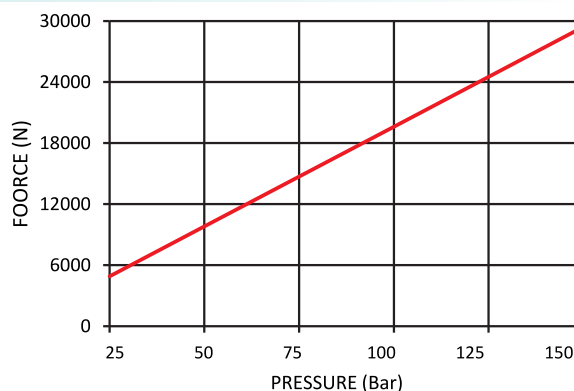
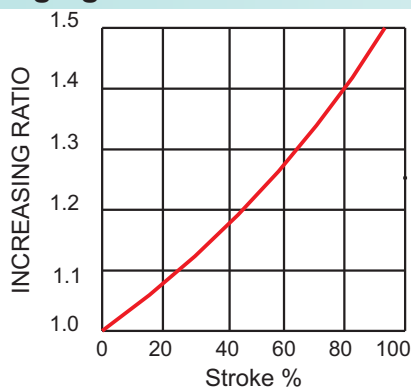
**75 - FLCA**  
Ref Page No.100

## ▶ Gas Spring - NFS-S4-3000 Series



Code	Stroke mm	L mm (± 0.25)	C mm (-0.2)	Initial Kg (N)	End Force Kg (N)
NFS-S4-3000	13	145	132	3003 (29450)	4283 (42000)
	16	152	136		4283 (42000)
	20	160	140		4283 (42000)
	25	170	145		4283 (42000)
	30	180	150		4283 (42000)
	32	184	152		4283 (42000)
	35	190	155		4283 (42000)
	38	196	158		4385 (43000)
	40	200	160		4385 (43000)
	45	210	165		4385 (43000)
	50	220	170		4487 (4400)
	60	240	180		4487 (4400)
	63	246	183		4589 (45000)
	70	260	190		4589 (45000)
	75	270	195		4589 (45000)
	80	280	200		4691 (46000)
	90	300	210		4691 (46000)
	100	320	220		4793 (47000)
	125	370	245		4793 (47000)
	160	440	280		4793 (47000)
200	520	320	4895 (48000)		
250	620	370	4895 (48000)		
300	720	420	4895 (48000)		

## ▶ Charging Pressure / Force Increase Factor



## ▶ Gas Spring Mountings



**95 - BTC**  
Ref Page No.97



**95 - BSP(A/B)**  
Ref Page No.97



**95 - TPC**  
Ref Page No.99



**95 - STPC**  
Ref Page No.98

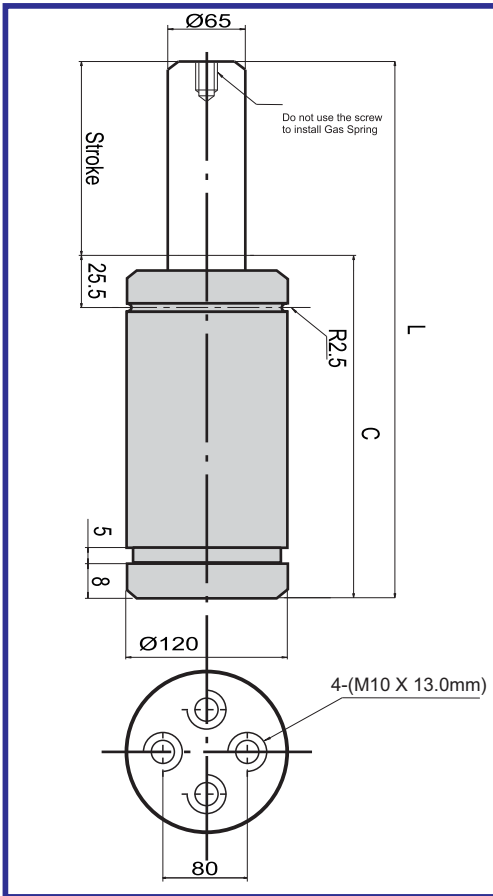


**95 - FLC**  
Ref Page No.99



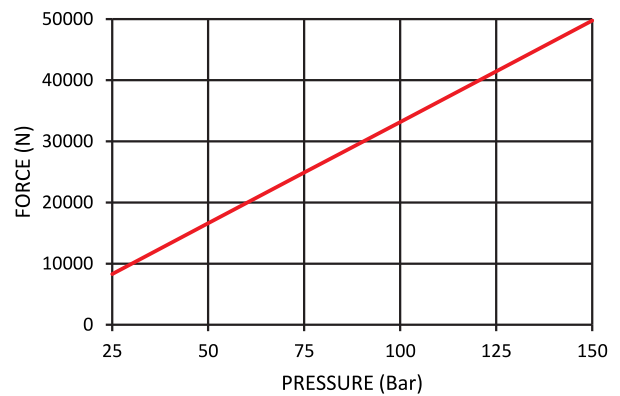
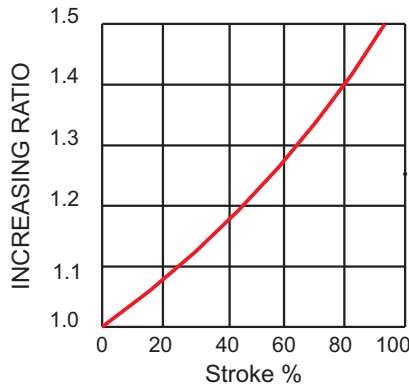
**95 - FLCA**  
Ref Page No.100

## ▶ Gas Spring - NFS-S4-5000 Series



Code	Stroke mm	L mm (± 0.25)	C mm (-0.2)	Initial Kg (N)	End Force Kg (N)
NFS-S4-5000	25	190	165	5078 (49800)	7240 (71000)
	30	200	170		7240 (71000)
	32	204	172		7240 (71000)
	35	210	175		7240 (71000)
	38	216	178		7648 (75000)
	40	220	180		7648 (75000)
	45	230	185		7648 (75000)
	50	240	190		7852 (77000)
	60	260	200		7852 (77000)
	63	266	203		8158 (80000)
	70	280	210		8158 (80000)
	75	290	215		8158 (80000)
	80	300	220		8260 (81000)
	90	320	230		8260 (81000)
	100	340	240		8362 (82000)
	125	390	265		8362 (82000)
	160	460	300		8464 (83000)
	200	540	340		8566 (84000)
	250	640	390		8566 (84000)
	300	740	440		8566 (84000)

## ▶ Charging Pressure / Force Increase Factor



## ▶ Gas Spring Mountings



**120 - BTC**  
Ref Page No.97



**120 - BSP(A/B)**  
Ref Page No.97



**120 - TPC**  
Ref Page No.99



**120 - STPC**  
Ref Page No.98

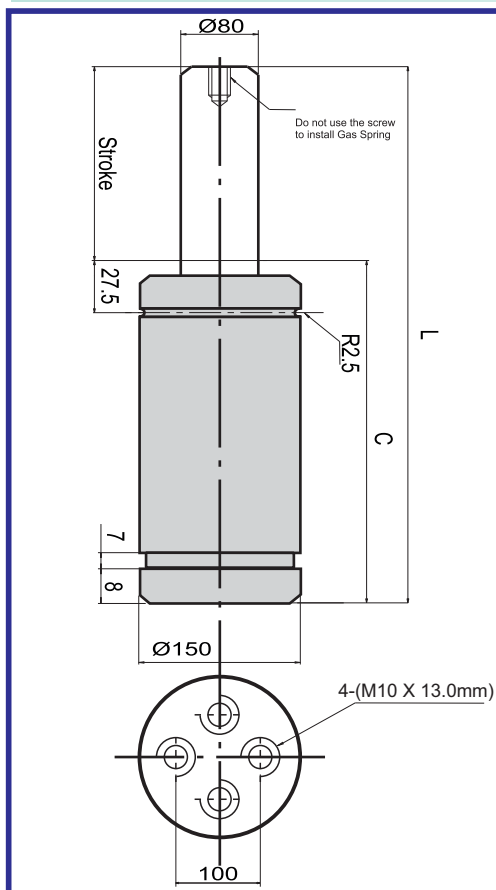


**120 - FLC**  
Ref Page No.99



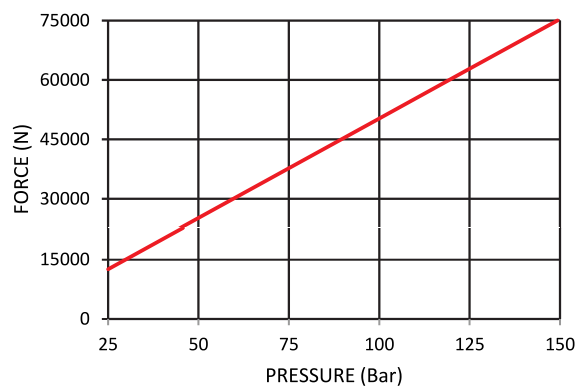
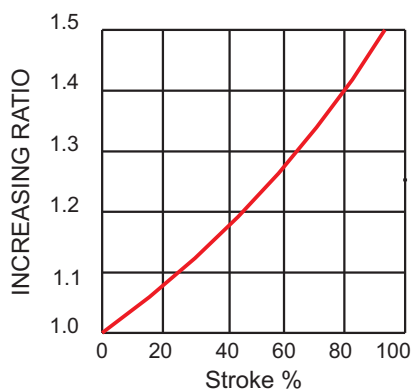
**120 - FLCA**  
Ref Page No.100

## ▶ Gas Spring - NFS-S4-7500 Series



Code	Stroke mm	L mm (± 0.25)	C mm (-0.2)	Initial Kg (N)	End Force Kg (N)
NFS-S4-7500	25	205	180	7689 (75400)	10714(105000)
	30	215	185		10714 (105000)
	32	219	187		10714 (105000)
	35	225	190		10714 (105000)
	38	231	193		11224 (110000)
	40	235	195		11224 (110000)
	45	245	200		11224 (110000)
	50	255	205		11531 (113000)
	60	275	215		11531 (113000)
	63	281	218		11735 (115000)
	70	295	225		11735 (115000)
	75	305	230		11735 (115000)
	80	315	235		11939 (117000)
	90	335	245		11939 (117000)
	100	355	255		12143 (119000)
	125	405	280		12347 (121000)
	160	475	315		12449 (122000)
	200	555	355		12551 (123000)
250	655	405	12653 (124000)		
300	755	455	12653 (124000)		

## ▶ Charging Pressure / Force Increase Factor



## ▶ Gas Spring Mountings



**150 - BTC**  
Ref Page No.97



**150 - BSP(A/B)**  
Ref Page No.97



**150 - TPC**  
Ref Page No.99



**150 - STPC**  
Ref Page No.98

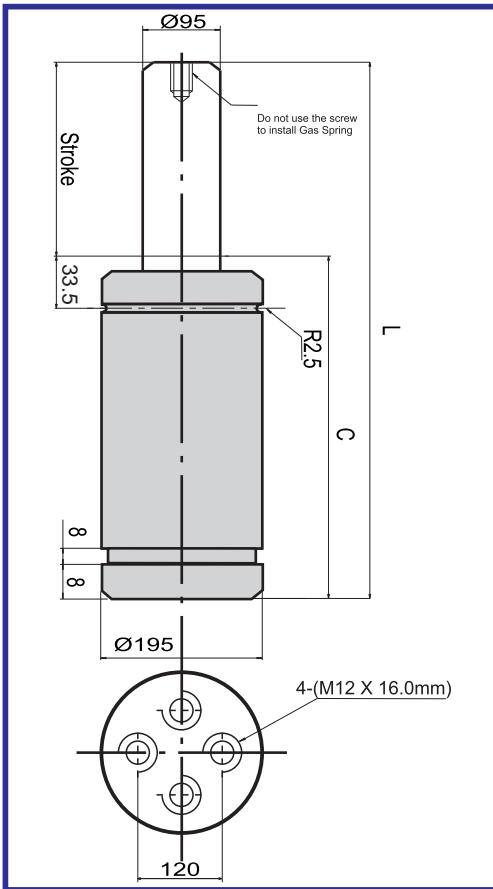


**150 - FLC**  
Ref Page No.99



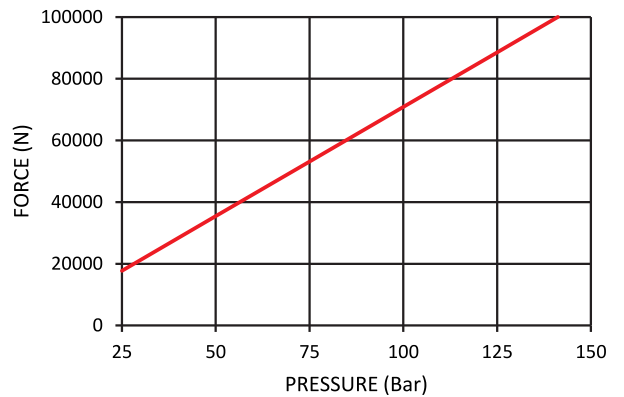
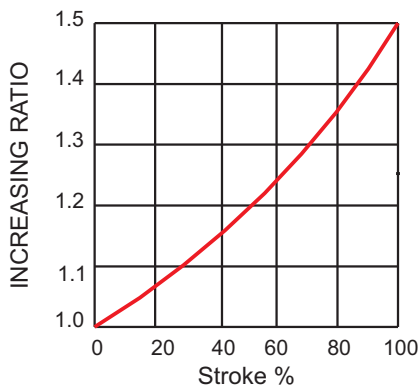
**150 - FLCA**  
Ref Page No.100

## ▶ Gas Spring - NFS-S4-10000 Series

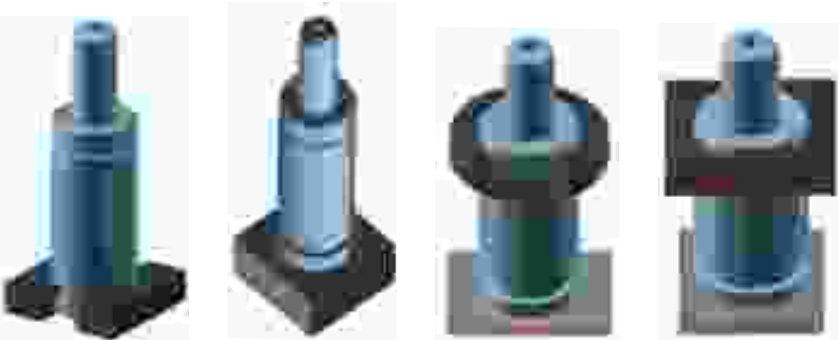


Code	Stroke mm	L mm (± 0.25)	C mm (-0.2)	Initial Kg (N)	End Force Kg (N)
NFS-S4-10000	25	210	185	10809 (106000)	14082(138000)
	30	220	190		14082(138000)
	32	224	192		14082(138000)
	35	230	195		14082(138000)
	38	236	198		14592(143000)
	40	240	200		14592(143000)
	45	250	205		14592(143000)
	50	260	210		15000(147000)
	60	280	220		15000(147000)
	63	286	223		15306(150000)
	70	300	230		15306(150000)
	75	310	235		15306(150000)
	80	320	240		15510(152000)
	90	340	250		15510(152000)
	100	360	260		15918(156000)
	125	410	285		16020(157000)
	160	480	320		16122(158000)
	200	560	360		16327(160000)
250	660	410	16327(160000)		
300	760	460	16327(160000)		

## ▶ Charging Pressure / Force Increase Factor



## ▶ Gas Spring Mountings



**195 - BTC**  
Ref Page No.97

**195 - BSP(A/B)**  
Ref Page No.97

**195 - TPC**  
Ref Page No.99

**195 - STPC**  
Ref Page No.98